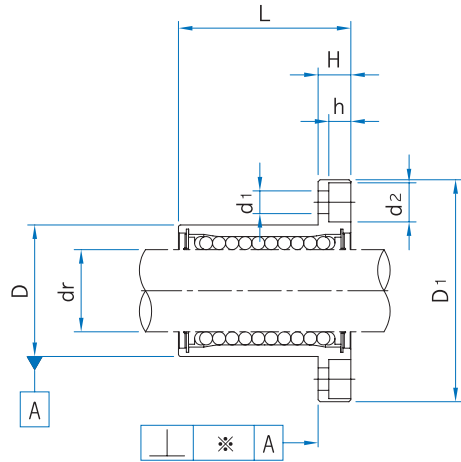


LMF/K/H Series

Flange Type



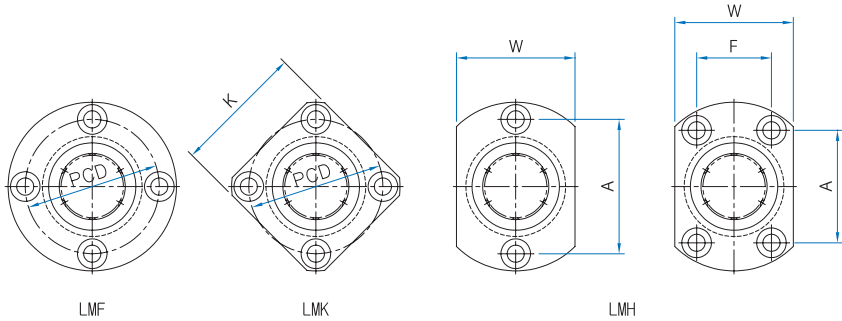
Unit : mm

Part No.		No. of Ball circuit	Wgt.* (gr)	Allowable Diametral Clearance (μm)	Basic Load Ratings		Working Bore Diameter		
Circular type	Square type				Oval type	Dyn. C (N)	Stat. Co (N)	dr (mm)	ToI. (μm)
LMF 6UU	LMK 6UU	-	4	26.5	- 5	200	260	6	0 - 9
LMF 8UU	LMK 8UU	-	4	34.0	- 5	170	220	8	
LMF 8UU	LMK 8UU	-	4	40.0	- 5	260	400	8	
LMF10UU	LMK10UU	LMH10UU	4	78.0	- 5	370	540	10	
LMF12UU	LMK12UU	LMH12UU	4	76.0	- 5	410	590	12	
LMF13UU	LMK13UU	LMH13UU	4	94.0	- 7	500	770	13	
LMF16UU	LMK16UU	LMH16UU	5	134.0	- 7	770	1170	16	0 -10
LMF20UU	LMK20UU	LMH20UU	5	180.0	- 9	860	1370	20	
LMF25UU	LMK25UU	LMH25UU	6	340.0	- 9	980	1560	25	
LMF30UU	LMK30UU	LMH30UU	6	460.0	- 9	1560	2740	30	0 -12
LMF35UU	LMK35UU	-	6	795.0	-13	1660	3130	35	
LMF40UU	LMK40UU	-	6	1054.0	-13	2150	4010	40	0 -15
LMF50UU	LMK50UU	-	6	2200.0	-13	3820	7930	50	
LMF60UU	LMK60UU	-	6	2960.0	-16	4700	9990	60	

Note) Plating and Raydent treatment are available

* The value of Circular type

1N ≒ 0.102kgf



Unit : mm

Dimensions (mm)													Part No.			
D	L	D ₁		H	PCD	K	W	A	F	※	d ₁ x d ₂ x h					
(mm)	Tol. (μm)	(mm)	Tol. (mm)	(mm)	Tol. (mm)					(μm)						
12	0	19	-0.2	28	-0.2	5	20	22	-	-	-	12	3,4×6,5×3,3	LMF/K/H6UU		
15	-11	17		32		5	24	25	-	-	-	12	3,4×6,5×3,3	LMF/K/H8SUU		
15		24		32		5	24	25	-	-	-	12	3,4×6,5×3,3	LMF/K/H8UU		
19		29		40		6	29	30	25	29	-	12	4,5×8×4,4	LMF/K/H10UU		
21	0	30		42		6	32	32	27	32	-	12	4,5×8×4,4	LMF/K/H12UU		
23	-13	32		43		6	33	34	29	33	-	12	4,5×8×4,4	LMF/K/H13UU		
28		37		48		6	38	37	34	31	22	12	4,5×8×4,4	LMF/K/H16UU		
32		42		54		8	43	42	38	36	24	15	5,5×9,5×5,4	LMF/K/H20UU		
40	0	59		-0.3		62	-0.3	8	51	50	46	40	32	15	5,5×9,5×5,4	LMF/K/H25UU
45	-16	64				74		10	60	58	51	49	35	15	6,6×11×6,5	LMF/K/H30UU
52		70	82		10	67		64	-	-	-	20	6,6×11×6,5	LMF/K/H35UU		
60	0	80	96		13	78		75	-	-	-	20	9×14×8,6	LMF/K/H40UU		
80	-19	100	116		13	98		92	-	-	-	20	9×14×8,6	LMF/K/H50UU		
90	0	110	134		18	112		106	-	-	-	25	11×17,5×10,8	LMF/K/H60UU		

1N ≒ 0.102kgf