

ELIMINATOR SS™

Super Speed Ball Screw

Linear Actuators



- Velocity to 65 in/sec
- Thrusts to 2,000 Lbf
- Heavy Wall Steel Construction
- Highest (B10) Life Rating
- Piston with Rugged Anti-Rotation
- Adjustable Limit Switch Positions
- Sealed Chamber Design

ELIMINATOR SS™ Capabilities

Model Number	Thrust Load Rated (lbf)	Linear Velocity Max. (in/s)	Travel Length ⁽¹⁾ Max. (in)	Frame Size (in)	Lead ⁽²⁾ (in)	Ball Screw Diameter (in)	Ball Screw Speed Max. (RPM)	Torque @ Ball Screw Max. (in-lb)	Dynamic Capacity per million revs (lbf)	Dynamic Capacity per million inches (lbf)	Motor/ ⁽³⁾ Gearhead Frame Supported Max. (in)	Unit Weight "U" Motor Mount (lb)	Unit Weight "L" Motor Mount (lb)
SS454-12	2,000	65	12	4.5	1.875	1.50	2,080	663	5,960	7,350	7	100	75
SS454-18	2,000	65	18	4.5	1.875	1.50	2,080	663	5,960	7,350	7	115	90
SS454-24	2,000	65	24	4.5	1.875	1.50	2,080	663	5,960	7,350	7	130	105
SS454-30	2,000	65	30	4.5	1.875	1.50	2,080	663	5,960	7,350	7	145	120
SS454-36	2,000	65	36	4.5	1.875	1.50	2,080	663	5,960	7,350	7	160	135
SS454-42	2,000	65	42	4.5	1.875	1.50	2,080	663	5,960	7,350	7	175	150
SS454-48	2,000	65	48	4.5	1.875	1.50	2,080	663	5,960	7,350	7	190	165

⁽¹⁾ Intermediate lengths are available; Longer lengths possible.

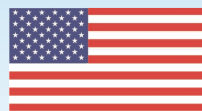
⁽²⁾ Standard lead accuracy is 0.005 in/ft

Standard backlash is 0.005 in maximum; Optional zero backlash is also available.

⁽³⁾ Motor adapter plates are available for larger motor frames.



Precision Mechanical
Products



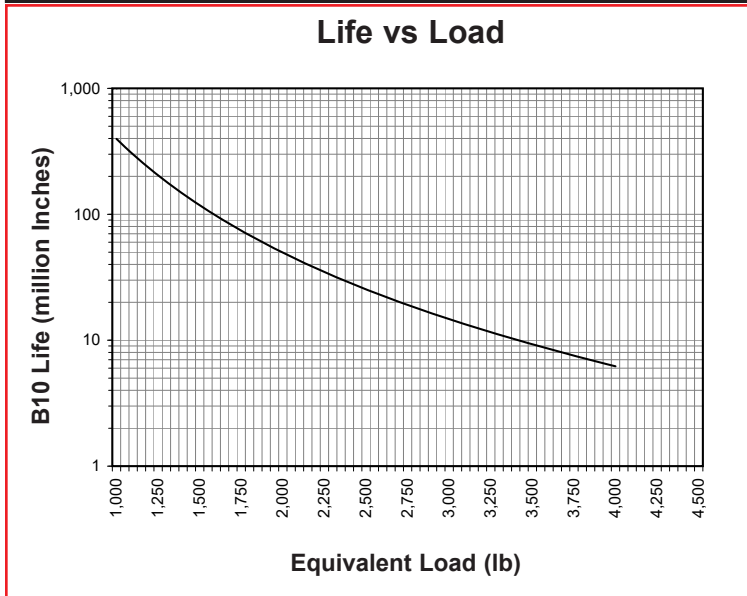
For Application Support
Call us Today at

800-878-1157
Fax: 860-953-0496
Tel: 860-953-0588

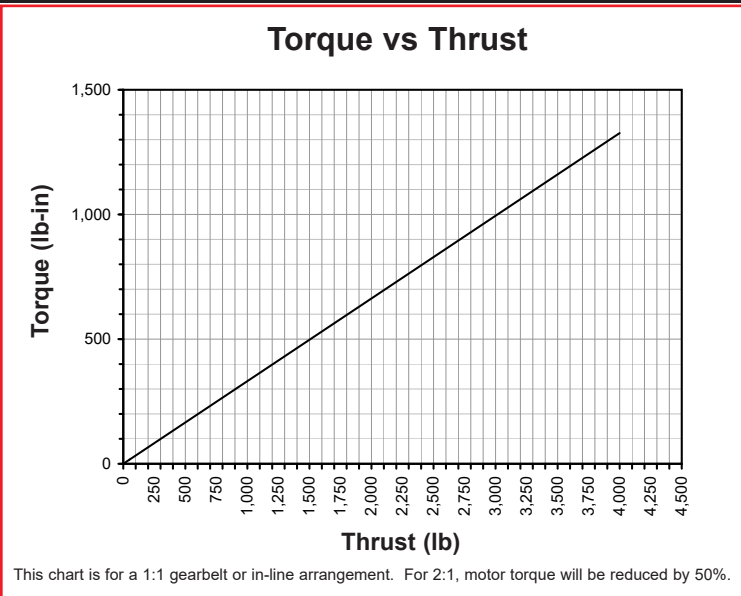
Precision Experience In Motion™

ELIMINATOR SS™

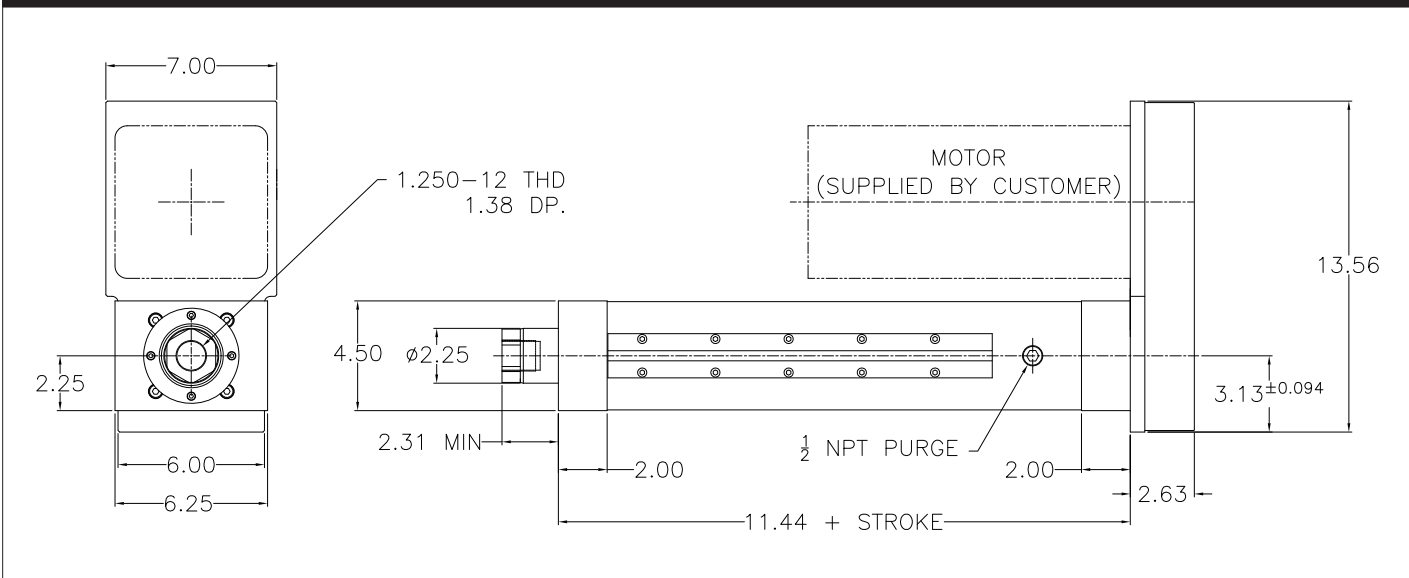
Graph: Life Vs. Load



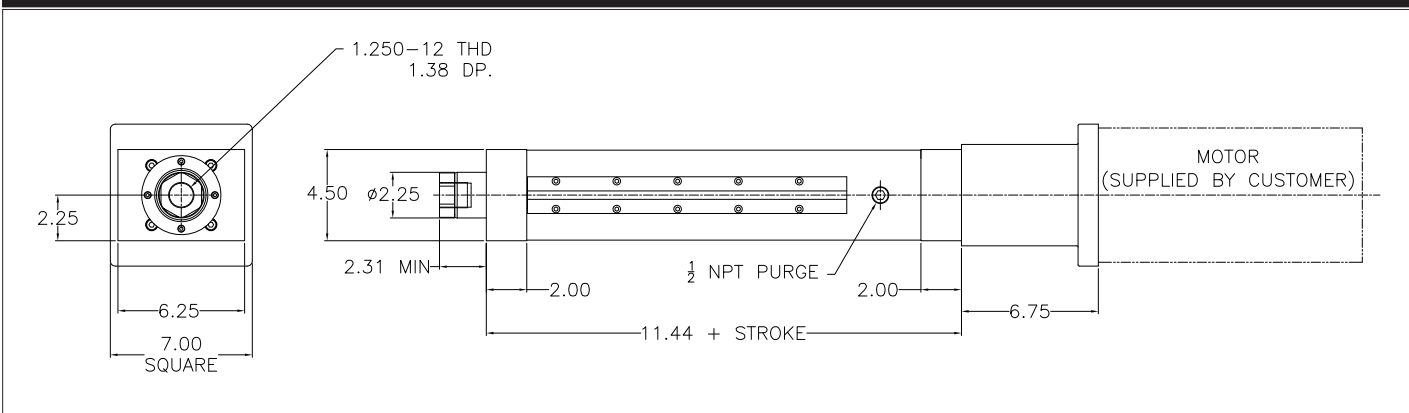
Graph 2: Torque Vs. Thrust at Ball Screw



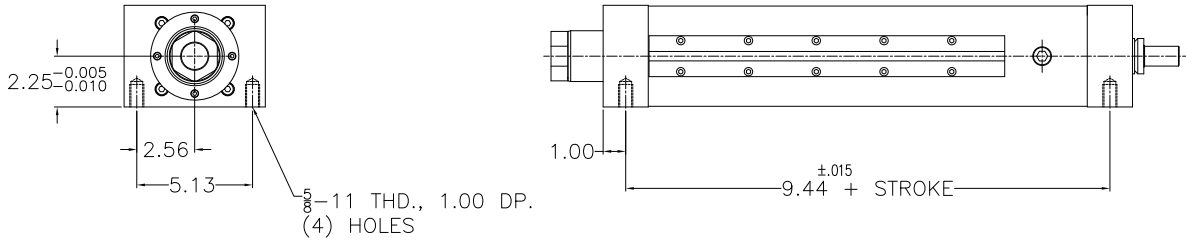
U-Parallel Offset Motor Dimensions



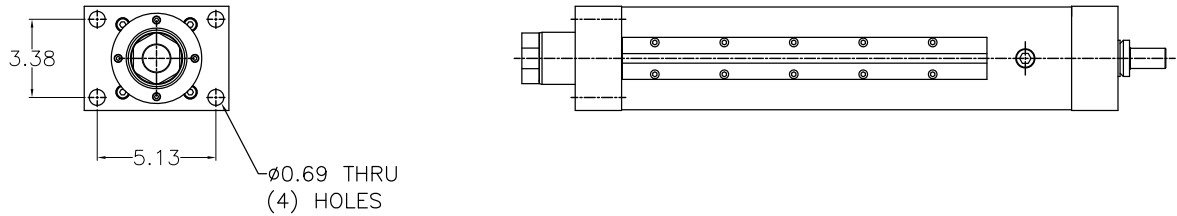
L-Inline Motor Dimensions



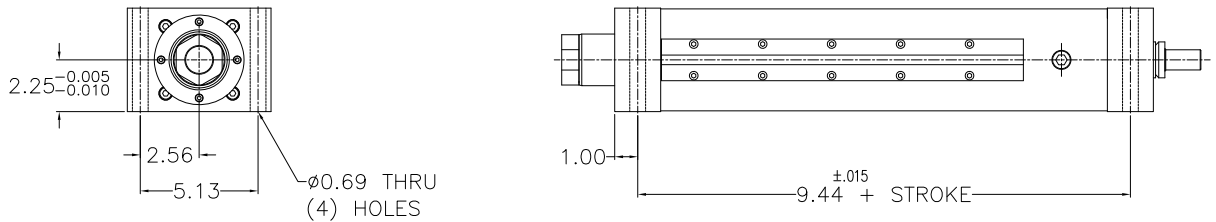
Bottom Mount Dimensions



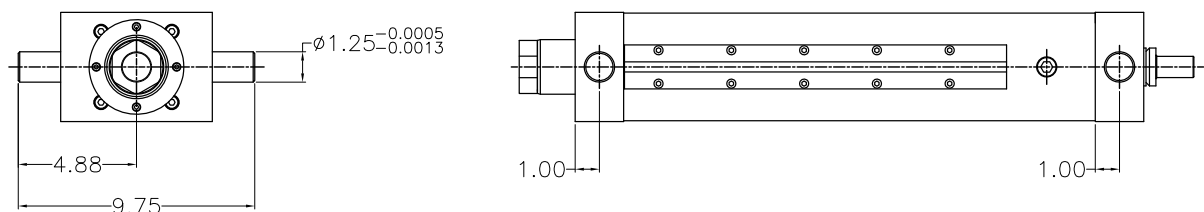
Front Flange Dimensions



Foot Mount Dimensions

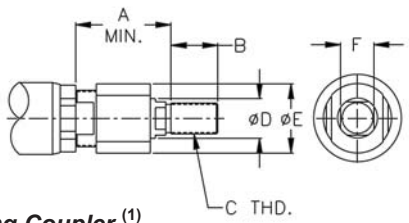
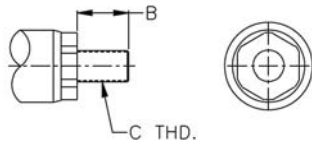
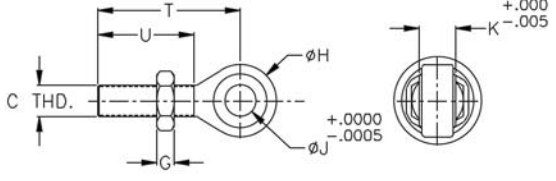
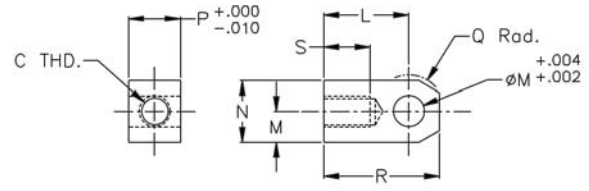


Trunnion Mount Dimensions



ELIMINATOR SS™

Rod End Options

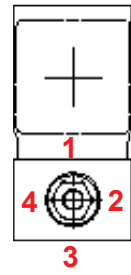
 <p>Self-Aligning Coupler ⁽¹⁾</p>	 <p>Male Thread</p>
 <p>Spherical Rod Eye</p>	 <p>Female Eye</p>

Rod End Options

Model	A	B	C	D	E	F	G	H	J	K	L	M	N	P	Q	R	S	T	U
SS454	2.94	1.63	1 1/4-12	1.38	2.50	1.25	0.72	2.75	1.00	1.38	3.44	1.38	2.75	2.00	1.56	4.81	2.00	4.13	2.13

(1) Zero backlash version also available

How To Order:

Base Number	Options	Special
S S 4 5 4 - [] - [] - [] - []	[] - [] - [] - []	[] [] [] []
<p>Standard Stroke Length (in):</p> <p>Unit Mounting Option: MB Bottom Mount FF Front Flange MF Foot Mount TF Front Trunnion TR Rear Trunnion</p> <p>End Effector/Rod End: E Female Eye F Female Thread A Self-Aligning Coupler M Male Thread S Spherical Rod Eye</p> <p>Configuration: L In-Line U Parallel Offset</p>	<p>Gearbelt Reduction: 00 - Direct Coupled 10 - 1:1 20 - 2:1</p> <p>Motor Position 1, 2, 3, 4 0 = Inline (refer to figure)</p> 	<p>Custom Length (in): 00.00</p> <p>N.C. Switch Qty: 0, 1, 2, 3, etc.</p> <p>N.O. Switch Qty: 0, 1, 2, 3, etc.</p> <p>Switch Type: A - Hall Sourcing PNP B - Hall Sinking NPN C - Reed</p>



The products shown in this catalog are intended for industrial use only and should not be used to lift, support or otherwise transport people, unless written authorization is obtained. The information provided in this catalog is believed to be accurate and reliable. However, EDrive assumes no responsibility for its use or for any errors that may appear in this document. This information in this publication is subject to change without notice.

For Application Support Call us Today at **800-878-1157**
Fax: 860-953-0496
Tel: 860-953-0588